



**YUXIANG**

www.magnet-tech.com

TH TYPE

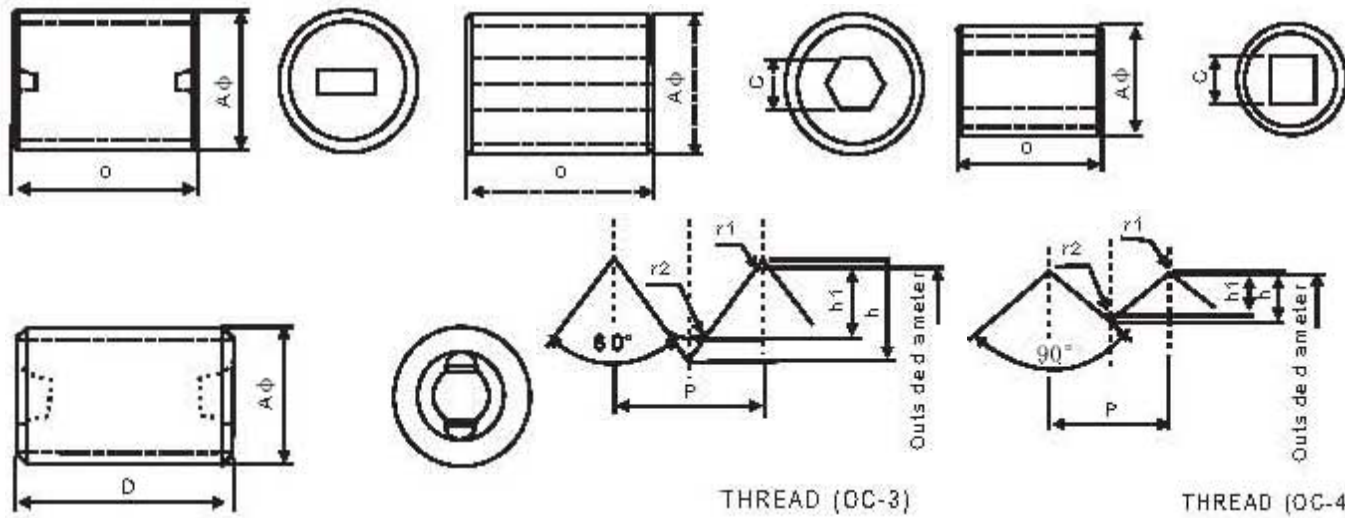
(1) ORDERING CODE

R6 TH 2.6 × 2.4 S14 OC3 PO.35

Material Type Outside Diameter(A ) Length(D) Shape Thread Type Thread Fitch  
 Materials can be Changed according to your request



(2) SHAPE



## (3) THREAD TYPE

Thread	Pitch P	Depth engagement h1	Degree	Crest radius r1	Root radius r2
OC-3	0.35 ±0.03	0.16 <sup>+0.10</sup> -0.05	60±5	0.08±0	0.22
	0.50 ±0.03	0.23 <sup>+0.10</sup> -0.03	60±5	0.08±0	0.22
	0.60 ±0.03	0.28 <sup>+0.10</sup> -0.03	60±5	0.08±0	0.22
	0.75 ±0.03	0.35 <sup>+0.14</sup> -0.03	60±5	0.08±0	0.22
	1.00 ±0.03	0.47 <sup>+0.12</sup> -0.03	60±5	0.08±0	0.22
OC-4	0.50 ±0.03	0.17 <sup>+0.06</sup> -0.03	90 <sup>+2</sup> -8	0.05±0	0.15
	0.60 ±0.03	0.20 <sup>+0.08</sup> -0.03	90 <sup>+2</sup> -8	0.05±0	0.15
	0.80 ±0.03	0.28 <sup>+0.10</sup> -0.03	90 <sup>+2</sup> -8	0.05±0	0.15

## (4) DIMENSIONS

NO.	TYPE	Fig	Dimensions(mm)	
			A	B
1	TH2.2×2.5STD core	1	2.20 ±0.03	2.50 ±0.20
2	TH2.2×2.5S14 core	4	2.20 ±0.03	2.50 ±0.20
3	TH2.6×2.8S14 core	4	2.60 ±0.03	2.80 ±0.20
4	TH2.65×4STD core	1	2.65 ±0.03	4.00 ±0.20
5	TH3.2×5S14 core	4	3.20 ±0.03	5.00 ±0.20
6	TH3.2×5S8 core	3	3.20 ±0.03	5.00 ±0.20
7	TH3.2×5STD core	1	3.20 ±0.03	5.00 ±0.20
8	TH3.66×8STD core	1	3.66 ±0.03	8.00 ±0.20
9	TH3.66×8S14 core	4	3.66 ±0.03	8.00 ±0.20
10	TH3.9×5S14 core	4	3.90 ±0.03	5.00 ±0.20
11	TH3.9×5STD core	1	3.90 ±0.03	5.00 ±0.20
12	TH3.95×8S8 core	3	3.95 ±0.03	8.00 ±0.20
13	TH4.32×5S14 core	4	4.32 ±0.03	5.00 ±0.20
14	TH4.5×15S8 core	3	4.50 ±0.03	15.0 ±0.30
15	TH4.6×8S4 core	2	4.60 ±0.03	8.00 ±0.20
16	TH4.6×8S14 core	4	4.60 ±0.03	8.00 ±0.20
17	Th6×9STD core	1	6.00 ±0.03	9.00 ±0.20
18	Th6×15S4 core	2	6.00 ±0.03	15.0 ±0.30
19	TH6.2×9STD core	1	6.20 ±0.03	9.00 ±0.20
20	TH6.25×25.4S4 core	2	6.25 ±0.03	25.4 ±0.50
21	Th8×20S4 core	2	8.00 ±0.03	20.0 ±0.40

Copyright 2005 YUXIANG Magnetic Materials Ind. Co., Ltd. All Rights Reserved.

Add: 16F1, jinyuan building, NO.57, hubin S.Rd., Xiamen, China. 361004

Tel : (86)592 2225286 (86)592 2219816 (86)592 2217138 Fax: (86)592 2207122

Email : magnetcom@gmail.com sales@magnet-tech.com