



RH TYPE

(1)ORDERING CODE

R80 RH 14.2 × 6.35 × 28.5

Material Type Outside Diameter(A) Inside Diameter(A) Lenth(D)

R80 RH 3.5 × 0.8 × 4.7 × T/R

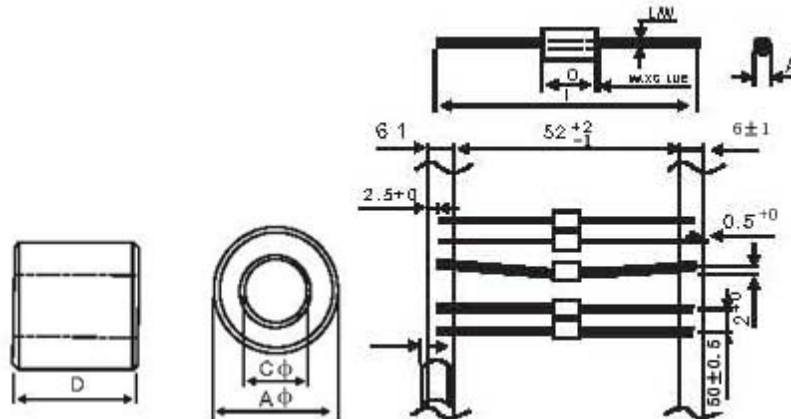
Material Type Outside Diameter(A) Inside Diameter(A) Lenth(D) Taping&Reel

Application: Rid a ciruit of EMI,Referred to RFI Internal and external computer data power cables Nose choke

Materials can be Changed according to your request



(2)SHAPE



(3)DIMENSIONS

NO.	TYPE	Dimensions(mm)		
		A	C	D
1	RH2.5×0.7×4	2.50 ±0.20	0.7 ±0.10	4.00 ±0.20
2	RH2.5×0.8×5	2.50 ±0.20	0.80 ±0.10	5.00 ±0.20
3	RH2.5×1.5×6	2.50 ±0.20	1.50 ±0.10	6.00 ±0.20
4	RH3×1.3×3	3.00 ±0.20	1.30 ±0.10	3.00 ±0.20
5	RH3×1×7	3.00 ±0.20	1.00 ±0.10	7.00 ±0.20
6	RH3.5×0.8×4.7	3.50 ±0.20	0.80 ±0.10	4.70 ±0.20
7	RH3.5×0.8×6	3.50 ±0.20	0.80 ±0.10	6.00 ±0.20
8	RH3.5×0.8×9	3.50 ±0.20	0.80 ±0.10	9.00 ±0.20
9	RH3.5×0.8×13.8	3.50 ±0.20	0.80 ±0.10	13.8 ±0.30
10	RH3.5×1.0×3	3.50 ±0.20	1.00 ±0.10	3.00 ±0.20
11	RH3.5×1.0×6	3.50 ±0.20	1.00 ±0.10	6.00 ±0.20
12	RH3.5×1.15×10	3.50 ±0.20	1.15 ±0.10	10.0 ±0.30
13	RH3.5×1.3×3	3.50 ±0.20	1.30 ±0.10	3.00 ±0.20
14	RH3.5×1.3×6	3.50 ±0.20	1.30 ±0.10	6.00 ±0.20
15	RH3.5×1.3×12	3.50 ±0.20	1.30 ±0.10	12.0 ±0.30

Copyright 2005 YUXIANG Magnetic Materials Ind. Co.,Ltd.All Rights Reserved.

Add: 16F1,jinyuan building,NO.57,hubin S.Rd.,Xiamen,China.361004

Tel : (86)592 2225286 (86)592 2219816 (86)592 2217138 Fax: (86)592 2207122

Email : magnetcom@gmail.com sales@magnet-tech.com