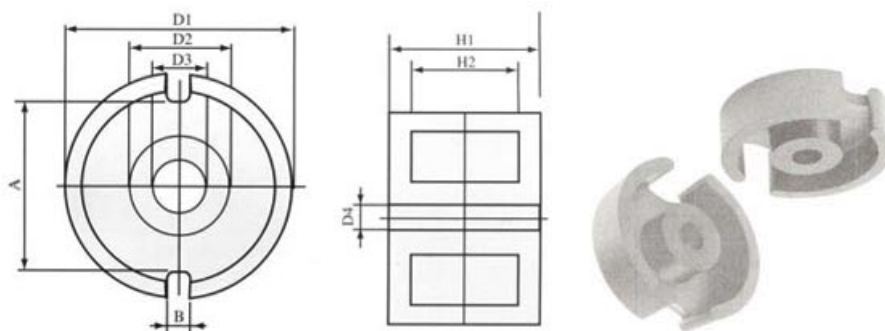




POT TYPE CORES

Materials:

LP1,LP2,LP3,HQ8H,HQ2K,HQ2K1



Type	Dimensions(m/m)								Effective parameter				
	A	B	D1	D2	D3	D4	H1	H2	C1	Ae	Le	Ve	AL±25% (nH/N ²)
P0704	5.5±0.2	1.6±0.3	7.4-0.4	5.8+0.25	3-0.2	1.4+0.1	4.4-0.2	2.8+0.2	1.43	7.0	10.0	70	460 min (HQ2K)
P0905	6.5±0.25	2±0.2	9.3-0.3	7.5+0.25	39-0.2	2.1±0.1	5.4-0.3	3.6+0.3	1.25	9.8	12.2	120	820 min (HQ2K)
P1107	6.8±0.25	2.2±0.3	11.3-0.4	9+0.4	4.7-0.2	2.1±0.1	6.3+0.3	4.4+0.3	1.00	15.9	15.9	252	1070 min (HQ2K)
P1408	9.5±0.3	2.7±1.2	14.3-0.5	11.5+0.5	6-0.2	3.1±0.1	8.2+0.3	5.6+0.4	0.80	25.0	20.0	500	1390 min (HQ2K)
P1811	13.4±0.3	3.8±0.6	18.4-0.8	14.9+0.5	7.6-0.3	3.1±0.1	10.6±0.2	7.2+0.4	0.60	43.0	25.9	1120	1970 min (HQ2K)
P2213	15±0.4	3.8±0.6	22-0.8	17.9+0.6	9.4-0.3	4.4+0.3	13.2±0.2	9.2±0.4	0.50	63.0	31.6	2000	2340 min (HQ2K)
P2616	18±0.4	3.8±0.6	25.5±0.5	21.2+0.8	11.5-0.4	5.4+0.2	16±0.2	11+0.4	0.40	93.0	37.2	3460	2970 min (HQ2K)
P3019	20.5±0.5	4.3±0.6	30±0.5	25+0.8	13.5-0.4	5.4+0.2	18.8±0.2	13+0.4	0.33	136	45.0	6100	3840 min (HQ2K)
P3622	26.2±0.6	4.9±0.6	36.2±1.2	29.9+1	16.2-0.6	5.4+0.2	21.7±0.3	14.6+0.4	0.26	202	52.0	10600	5200 min (HQ2K)
P4229	-	7.0±0.5	66.3±1.2	53.5±2	28.8-1.2	6.35+0.3	55.8±0.4	42+0.8	0.22	249	62.1	15880	6000 min (HQ2K)
P4830	-	8.0	48.5-2.1	39.6+2.2	20.2-1.0	5.20+0.5	11.6+0.1	10.6+0.6	0.22	337.8	73.2	24730	6800 min (HQ2K)