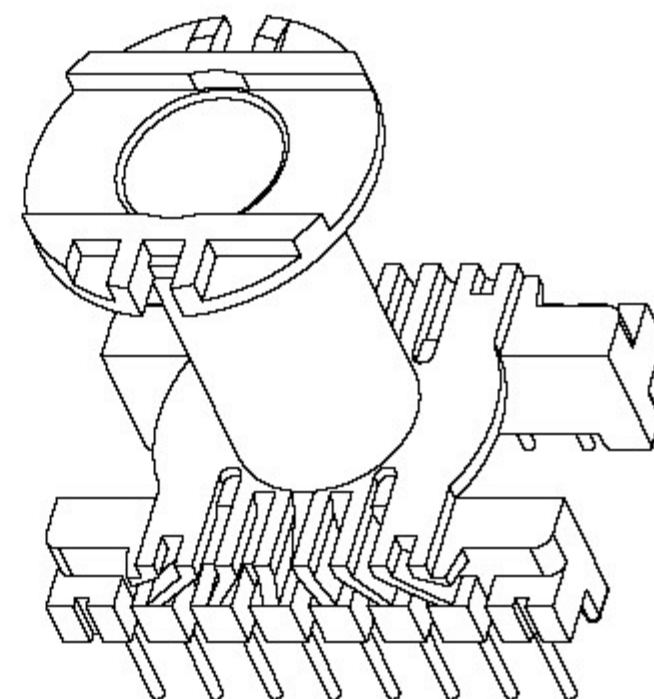
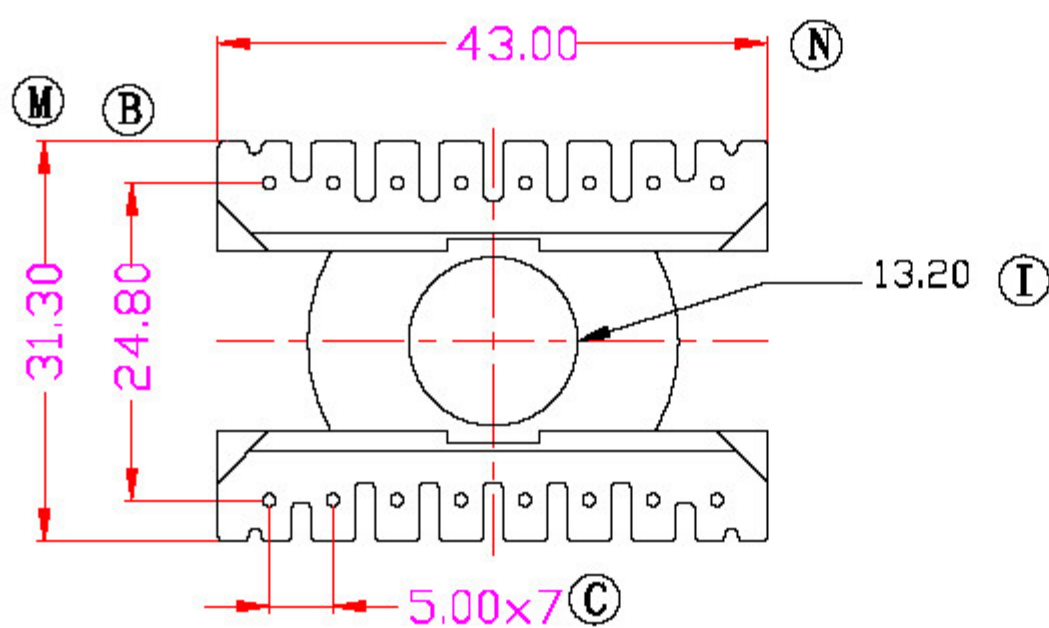
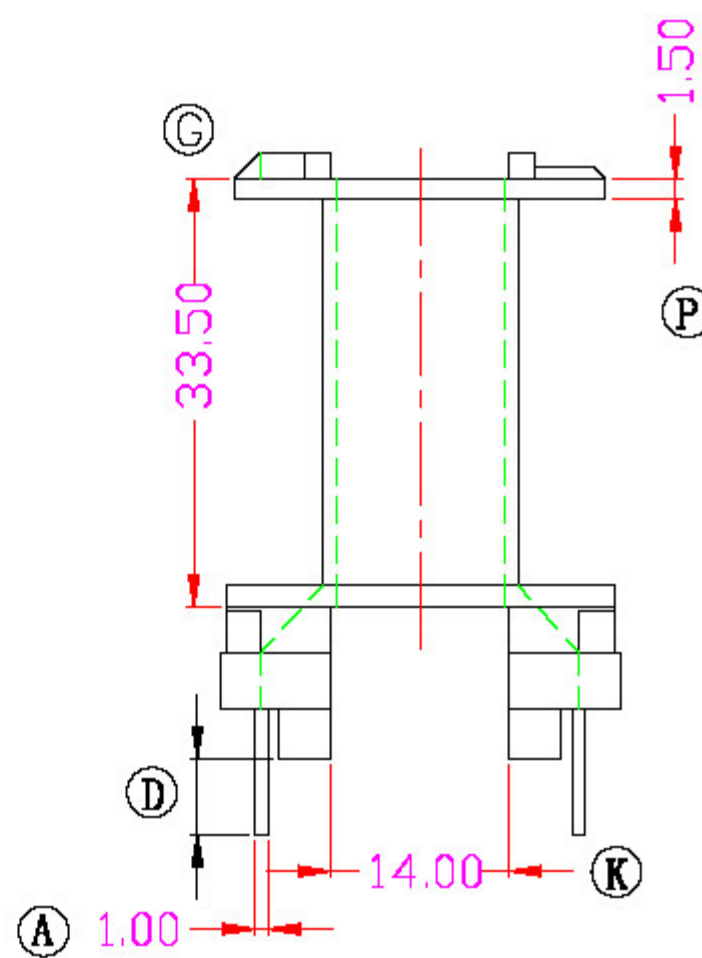
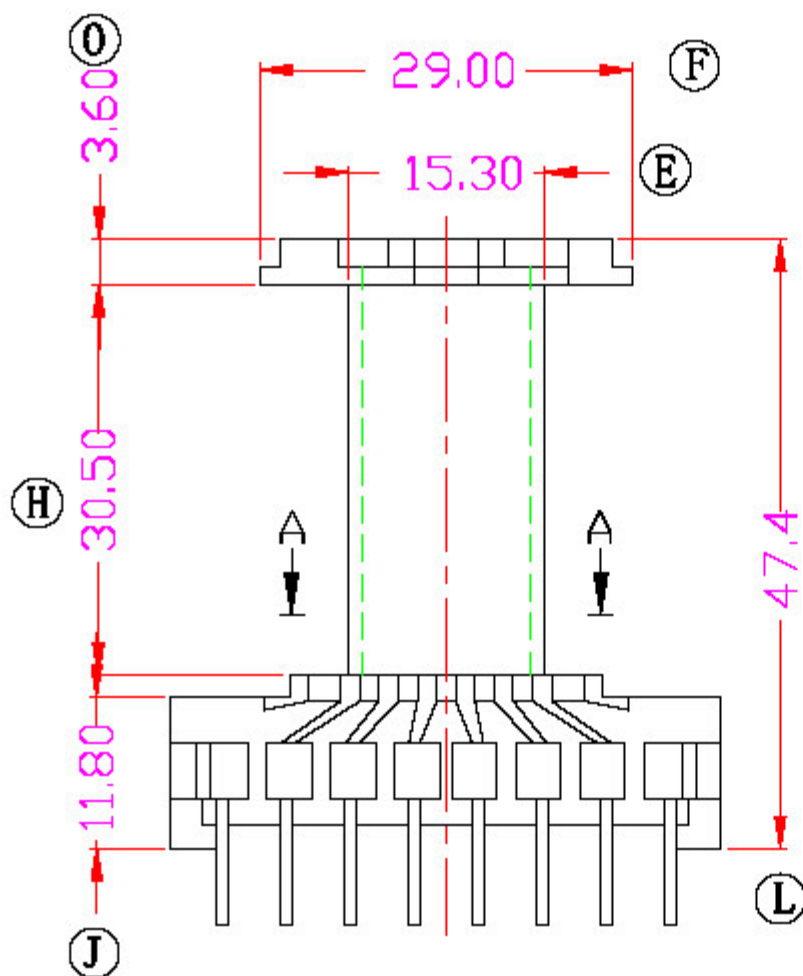

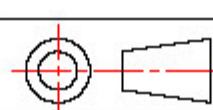


SEC A-A



REV.	REVISIONS	REC.	DATE:	REV.	REVISIONS	REC.	DATE:
0				2			
1				3			

DRAWN & DRAFTED BY	XIAO ZHUO	TOI FRANCIS		ANGLE:	TITLE:					
		0 $L \le 4$ ± 0.1	pin pitch ± 0.2	$\pm 1^\circ$	BOBBIN ER-39(16P)		UL REC.			
CHECKED & APPROVED BY	YI YING	4 $L \le 16$ ± 0.2		UNIT:	MM	BOBBIN MATERIAL:	PHENOLIC	UL 94V-0		
				SCALE:	PIN MATERIAL:	CP WIRE	PIN TENSION LOAD:	1.50kg MIN.		
 YUXIANG Magnetic Materials Ind. Co., Ltd. TEL:006-592-2217198 FAX:006-592-2222216					DATE:	DEC 16 2002	DRAWING NO.	FX-3901	REV.	0