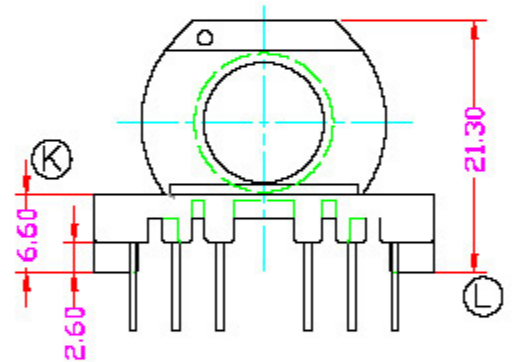
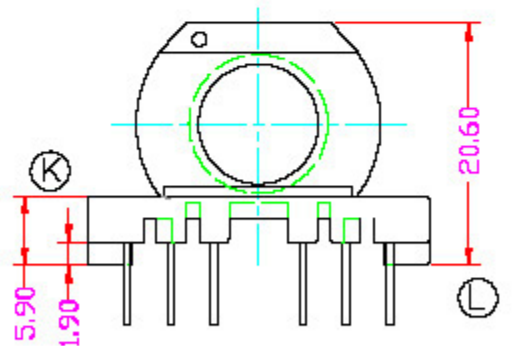


DRAWING NO.	BOBBIN MATERIAL:
FX-2805-1	PHENOLIC



DRAWING NO.	BOBBIN MATERIAL:
FX-2805-2	PHENOLIC



REV.	REVISIONS REC.	DATE:	REV.	REVISIONS REC.	DATE:
0			2		
1			3		
DRAWN & DRAFTED BY	<b>XIAO ZHUO</b>	TOLERANCES	ANGLE:	TITLE: ER-28(12P)	
CHECKED & APPROVED BY	<b>YI YING</b>	$0 < L \leq 4 \pm 0.1$ $4 < L \leq 16 \pm 0.2$ $16 < L \leq 63 \pm 0.3$	$\pm 1^\circ$ UNIT: MM	BOBBIN MATERIAL: PHENOLIC	UL REC. UL 94V-0
<b>YUXIANG Magnetic Materials Ind. Co., Ltd.</b> TEL:006-592-2217130 FAX:006-592-222216			SCALE:	PIN MATERIAL: CP WIRE	PIN TENSION LOAD: 1.2kg
				DATE: NOV 25 2003	DRAWING NO. FX-2805
				REV. 0	