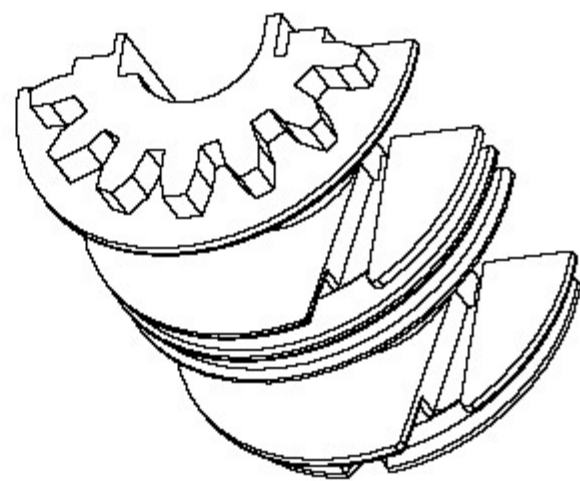
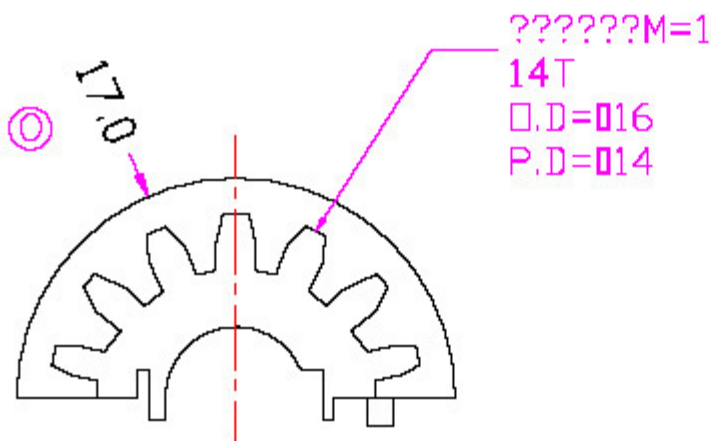
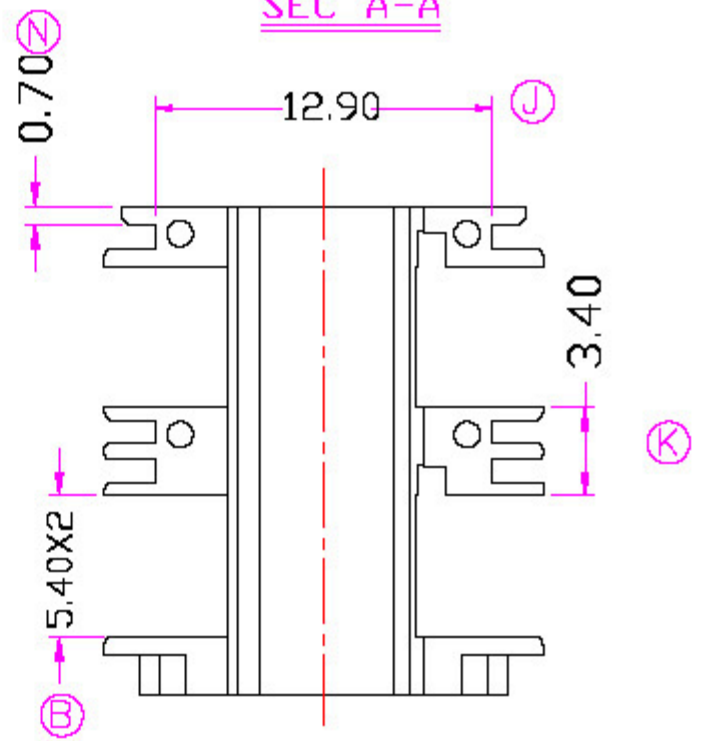
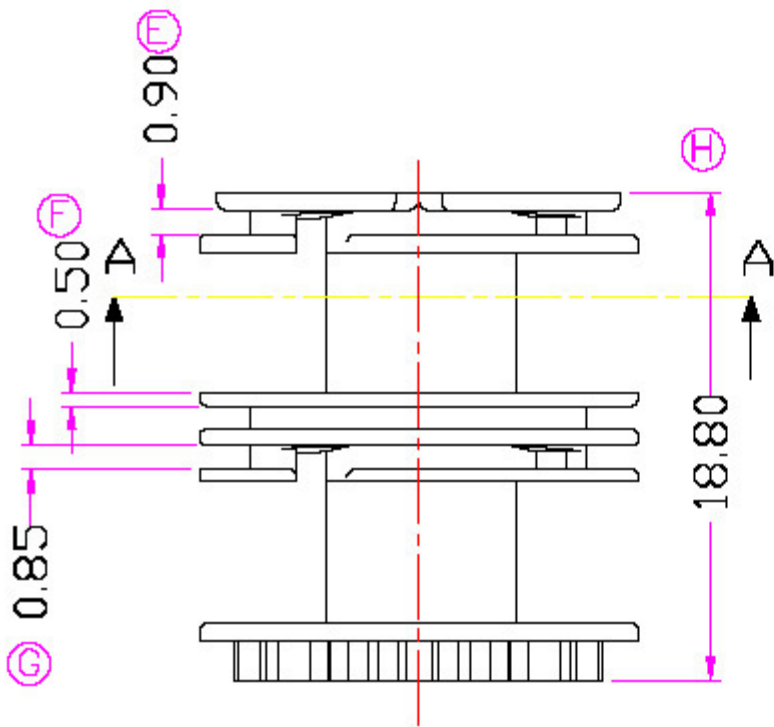


SEC A-A



REV.	REVISIONS	REC.	DATE:	REV.	REVISIONS	REC.	DATE:
0				2			
1				3			
DRAWN & DRAFTED BY		XIAO ZHUO		TOLERANCES		ANGLE: $\pm 1^\circ$	
CHECKED & APPROVED BY		YI YING		$0 < L \leq 4 \pm 0.1$ $4 < L \leq 16 \pm 0.2$ $16 < L \leq 63 \pm 0.3$		pin pitch ± 0.2 UNIT: MM SCALE:	
YUXIANG Magnetic Materials Ind. Co., Ltd. TEL:006-592-2217130 FAX:006-592-2222216				TITLE: ET-24 BOBBIN(2 GROOVES) BOBBIN MATERIAL: PBT PIN MATERIAL: CP WIRE		UL REC. UL 94V-0 PIN TENSION LOAD:	
				DATE: OCT 28 2003		DRAWING NO. FX-2402-1	
						REV. 1	