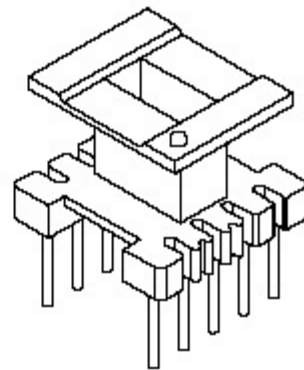


SECTION A-A



REV.	REVISIONS	REC.	DATE:	REV.	REVISIONS	REC.	DATE:
0				2			
1	FX-1301-1?????????			3			
DRAWN & DRAFTED BY		<b>XIAO ZHUO</b>		TOLERANCES		ANGLE: $\pm 1^\circ$	
CHECKED & APPROVED BY		<b>YI YING</b>		$0 < L \leq 4 \pm 0.1$ $4 < L \leq 16 \pm 0.2$ $16 < L \leq 63 \pm 0.3$		TITLE: <b>BOBBIN EE-13-3(10P)</b> UNIT: <b>MM</b> SCALE:	
		pin pitch $\pm 0.2$		BOBBIN MATERIAL: <b>PHENOLIC</b>		UL REC. <b>UL 94V-0</b>	
				PIN MATERIAL: <b>CP WIRE</b>		PIN TENSION LOAD: <b>1.2kg MIN.</b>	
				DATE: <b>JAN 10 2003</b>		DRAWING NO. <b>FX-1303-1</b>	
						REV. <b>1</b>	


**YUXIANG Magnetic Materials Ind. Co., Ltd.**  
 TEL:006-592-2217130 FAX:006-592-2222216