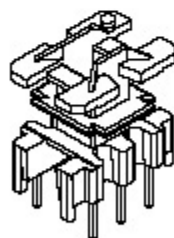
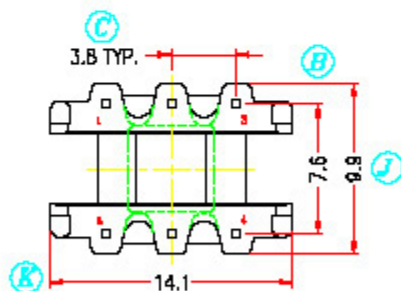
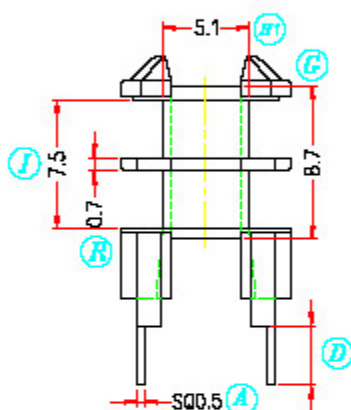
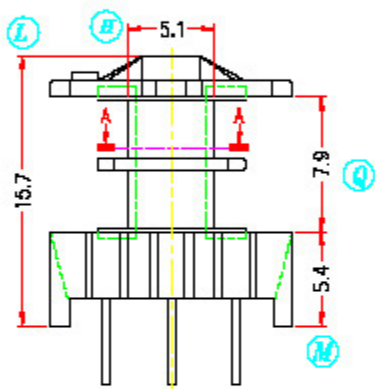




SEC. A-A



REV.	REVISIONS REC.		DATE:	REV.	REVISIONS REC.		DATE:
D				2			
1				3			
DRAWN & DRAFTED BY	XIAO ZHUO		TOLERANCES		ANGLE: $\pm 1^\circ$		TITLE: BOBBIN EF-12.6 (2S)
CHECKED & APPROVED BY	YI YING		$0 < L \leq 4 \pm 0.1$ $4 < L \leq 16 \pm 0.2$ $16 < L \leq 63 \pm 0.3$		UNIT: MM SCALE:		BOBBIN MATERIAL: PET(FR530) PIN MATERIAL: CP WIRE
 <b>YUXIANG Magnetic Materials Ind. Co., Ltd.</b> TEL:006-592-2217198 FAX:006-592-2222216			 pin pitch $\pm 0.2$		DATE: FEB 19 2003 DRAWING NO. FX-1202		UL REC. UL 94V-0 PIN TENSION LOAD: 1.20kg REV. G