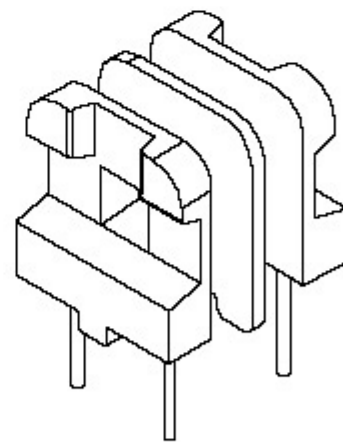
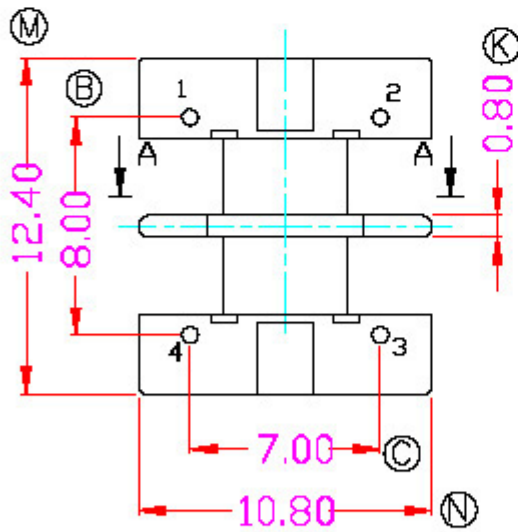
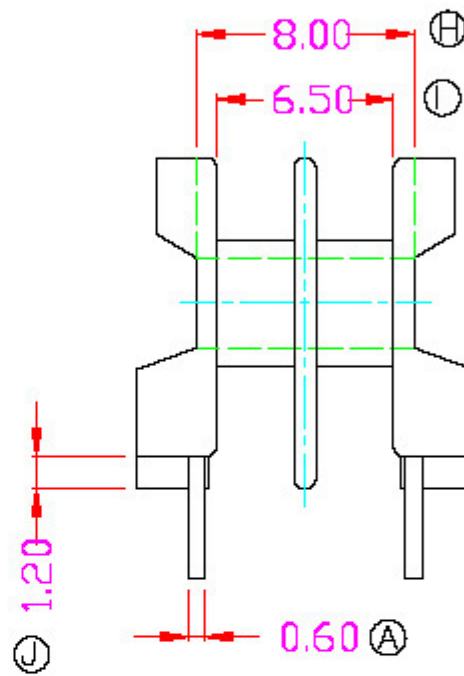
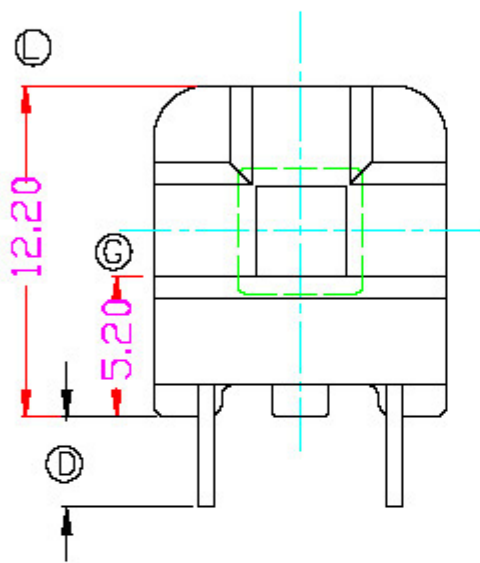


SEC A-A



REV.	REVISIONS REC.	DATE:	REV.	REVISIONS REC.	DATE:
0			2		
1			3		
DRAWN & DRAFTED BY	XIAO ZHUO	TOLERANCES	ANGLE:	TITLE:	
CHECKED & APPROVED BY	YI YING	$0 < L \leq 4 \pm 0.1$ $4 < L \leq 16 \pm 0.2$ $16 < L \leq 63 \pm 0.3$	$\pm 1^\circ$	UU-9.8(4P)	
		pin pitch ± 0.2	UNIT:	BOBBIN MATERIAL:	UL REC.
			MM	PHENOLIC	UL 94V-0
			SCALE:	PIN MATERIAL:	PIN TENSION LOAD:
				CP WIRE	1.20kg
				DATE:	DRAWING NO.
				APR 29 2003	FX-1005
					REV. 0